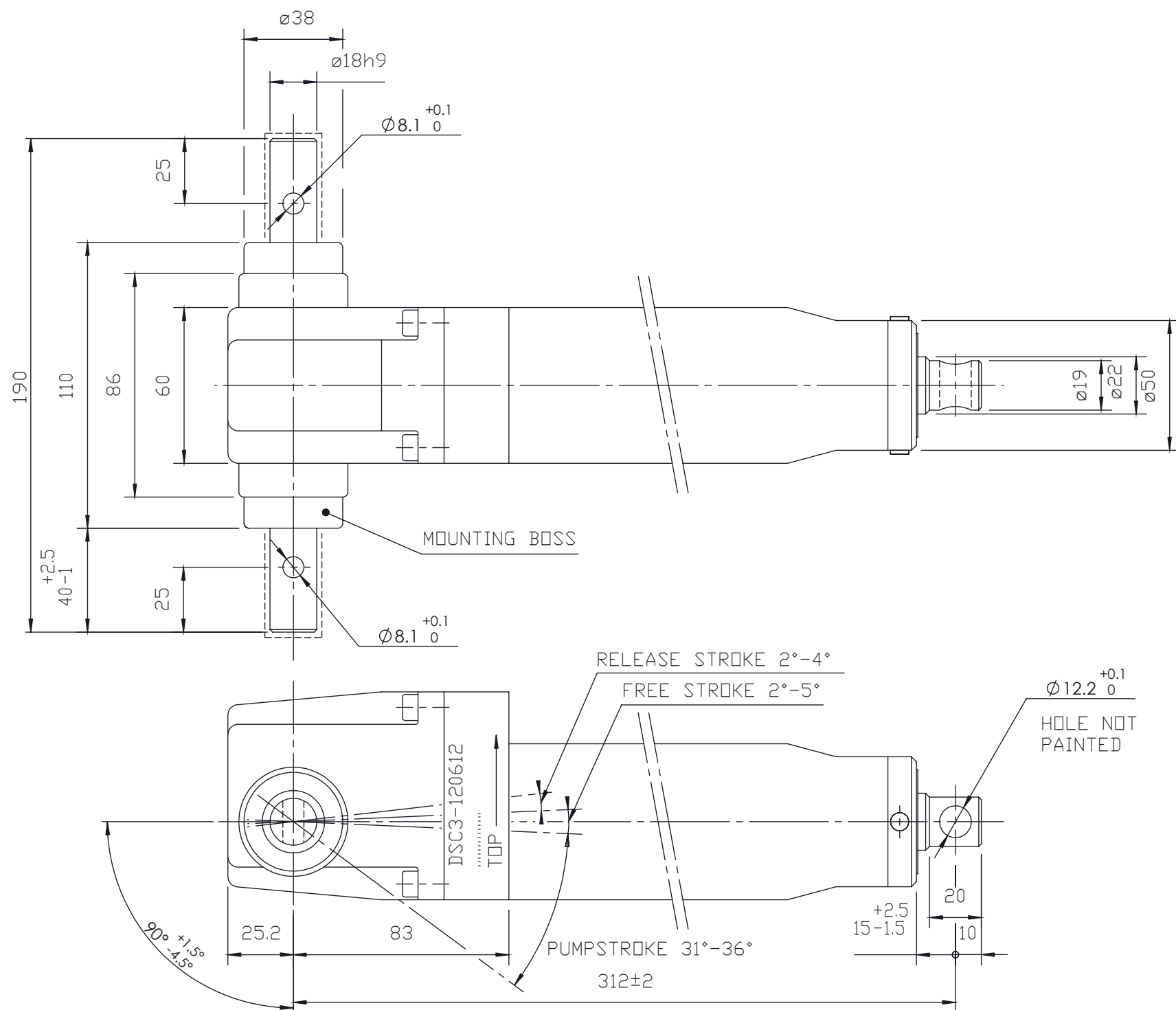
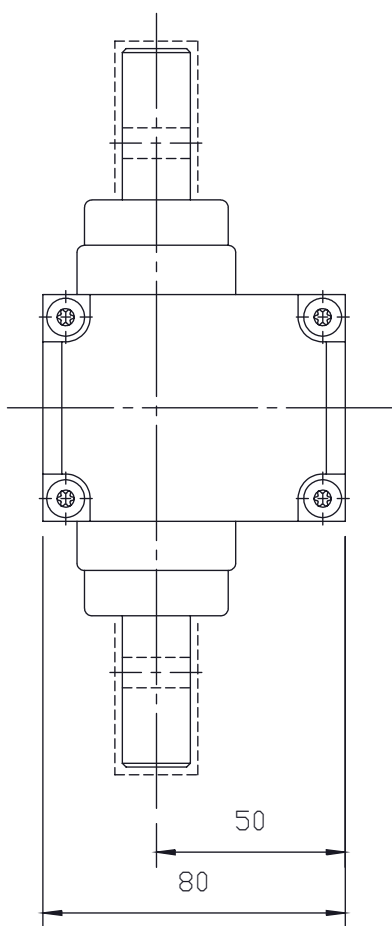


This document and the information contained therein is the property of POWER-PACKER EUROPA B.V., Oldenzaal, the Netherlands. Its unauthorized use, disclosure and reproduction are strictly prohibited without prior written consent. Persons disclosing actively or passively any information contained in this document without prior written consent will be liable to legal prosecution. See further our general terms and conditions of sale.



----- SURFACE NOT PAINTED
TOLERANCES ±1mm/1° UNLESS STATED OTHERWISE

SPECIFICATIONS:

STROKE : 200 0/-5 mm
 PUSH FORCE (DYNAMIC) : 10 kN at 270 bar
 MAXIMUM STATIC LOAD : 12.5 kN
 NUMBER OF PUMPSTROKES : 26 at 35° PUMPSTROKE
 COLOUR : WHITE (RAL 9010)
 RELIEF VALVE INSTALLED
 F.C.V. INSTALLED

SPECIAL CHARACTERISTICS ACCORDING PPE EN-003.		QUANTITY THIS PAGE
▽	CRITICAL CHARACTERISTIC	0
◇	SIGNIFICANT CHARACTERISTIC	0
ENG.	Schasl	DR.
Q.A.	LansiH	DATE
MFG.	WeeniE	SCALE 1:2

POWER-PACKER.

DESCRIPTION COMPACT MK5

INFO	
5A010A	
DATE	
12 Apr 11	
DRAWN BY	ORIGIN
MensiA	
STATUS	
PROTOTYPE	
REVISION	DRAWING TYPE
A	Installation
NUMBER	
DSC3-120612	
SHEET	FORM
1 OF 1	A3