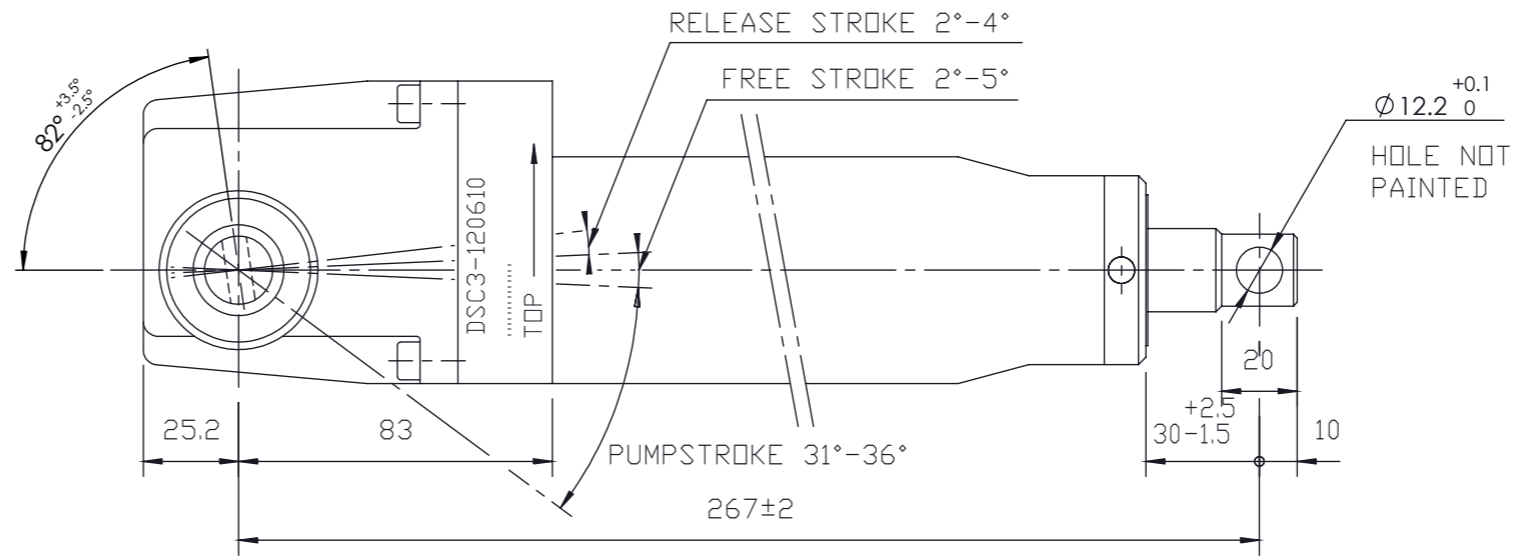
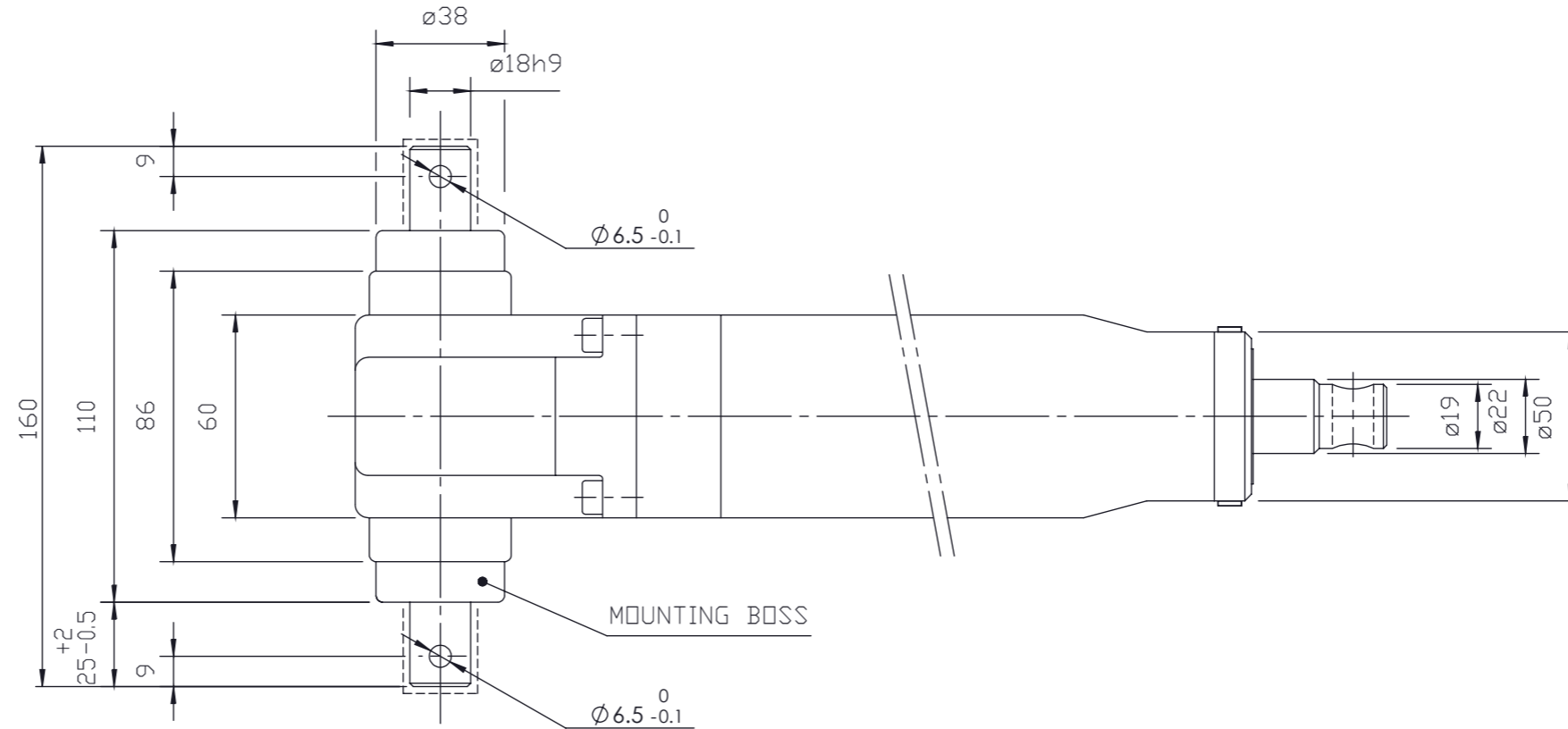
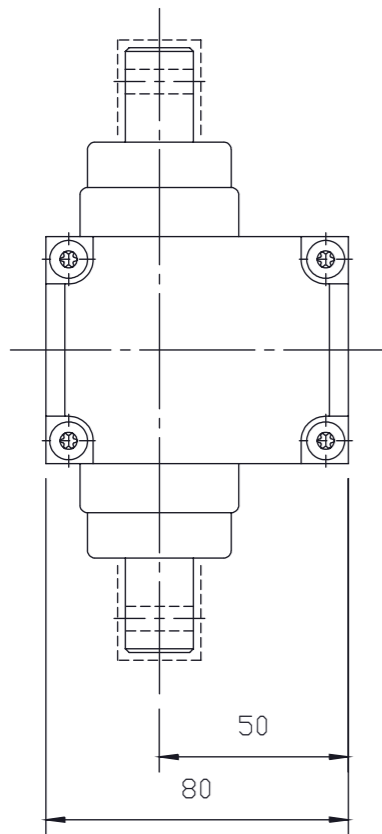


This document and the information contained therein is the property of POWER-PACKER EUROPA B.V., Oldenzaal, the Netherlands. Its unauthorized use, disclosure and reproduction are strictly prohibited without prior written consent. Persons disclosing actively or passively any information contained in this document without prior written consent will be liable to legal prosecution. See further our general terms and conditions of sale.



SPECIFICATIONS:

STROKE : 140 0/-5 mm
 PUSH FORCE (DYNAMIC) : 10 kN at 270 bar
 MAXIMUM STATIC LOAD : 12.5 kN
 NUMBER OF PUMPSTROKES : 24 at 35° PUMPSTROKE
 COLOUR : SILVER GREY (RAL 9006)
 RELIEF VALVE INSTALLED
 F.C.V. INSTALLED

-----SURFACE NOT PAINTED
 TOLERANCES ±1mm/1° UNLESS STATED OTHERWISE

SPECIAL CHARACTERISTICS ACCORDING PPE EN-003.		QUANTITY THIS PAGE
▽ = CRITICAL CHARACTERISTIC		0
◇ = SIGNIFICANT CHARACTERISTIC		0
ENG. Schasl	DR.	
Q.A. LansIH	DATE	
MFG. WeeniE	SCALE 1:2	

POWER-PACKER.

DESCRIPTION COMPACT MK5

INFO		5A010A
DATE		12 Apr 11
DRAWN BY	ORIGIN	MensiA
STATUS		
PROTOTYPE		
REVISION	DRAWING TYPE	A Installation
NUMBER		
DSC3-120610		
SHEET	FORM	1 OF 1 A3